

# **CON-ABA2WG**

# **Converter**

**Version 1.00**

**User Manual**



**KEYKING GROUP**

# Index

1. Hardware function: .....	3
2. DIP Switch: .....	4
3. Diagram: .....	4
3.1 Diagram for MG100 Magnetic Reader .....	4
3.2 Diagram for MR500 Magnetic Read.....	5
3.3 WG_OUT interface.....	5
3.4 Power Supply .....	6
4. LED Indication:.....	6
5. Connect to Access Controller and Magnetic Reader:.....	6
6. Features: .....	6

## 1. Hardware function:

The CON-ABA2WG should be connected through the Magnetic ABA connector and wires to the Magnetic Reader and through the RJ-45 plug (Wiegand) to the TC3XY controller port (Wiegand Reader connection). The CON-ABA2WG should be powered by a power supply of 7-14 VDC with maximum 500mA.

Input: ABA Format from Magnetic Reader

Output: Wiegand 26, 34, 42, 66Bits



Image 1 CON-ABA2WG to Magnetic Reader and Access Controller

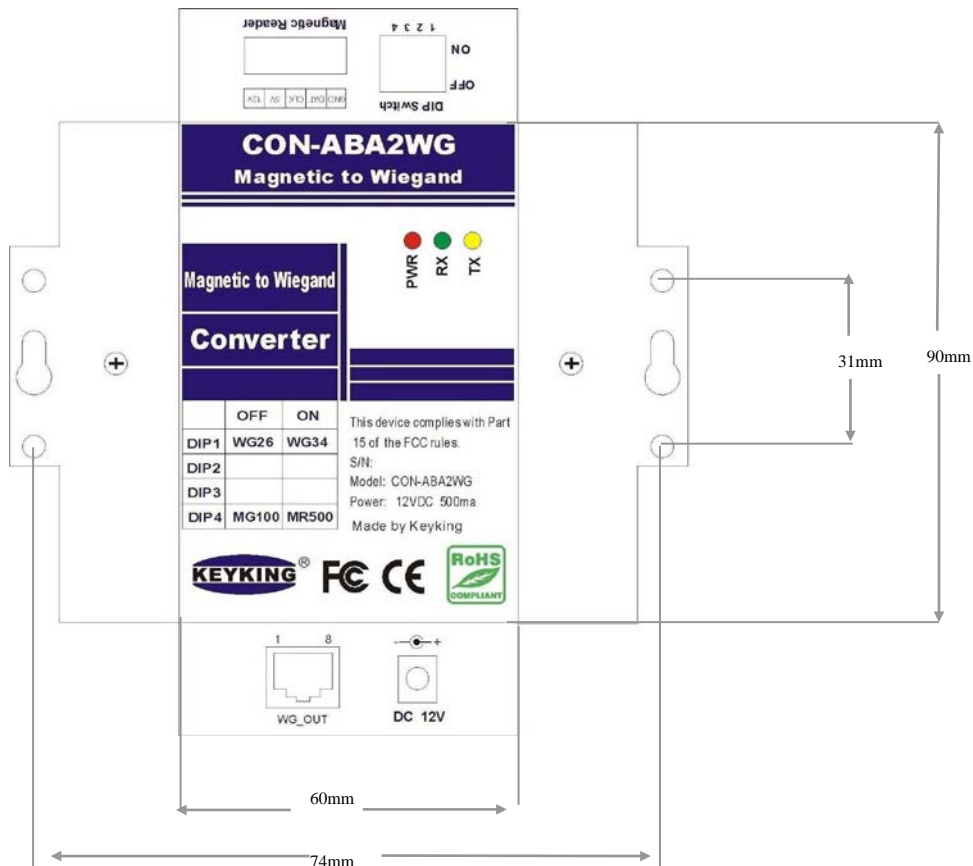
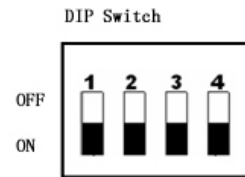


Image 2 CON-ABA2WG Size

## 2. DIP Switch:

	DIP1	DIP2	DIP3	DIP4
Wiegand26 Output	OFF	OFF		
Wiegand34 Output	ON	OFF		
Wiegand 42 Bits Output	OFF	ON		
Wiegand 66 Bits Output	ON	ON		
Last Digits is valid			OFF	
First Digits is valid			ON	
MG100 Input				OFF
MR500 Input				ON



Wiegand26 Output: DP1=OFF, DP2=OFF;

Wiegand34 Output: DP1=ON, DP2=OFF;

Wiegand42 Output: DP1=OFF, DP2=ON;

Wiegand66 Output: DP1= ON, DP2= ON;

Last Digits is valid: DP3=OFF;

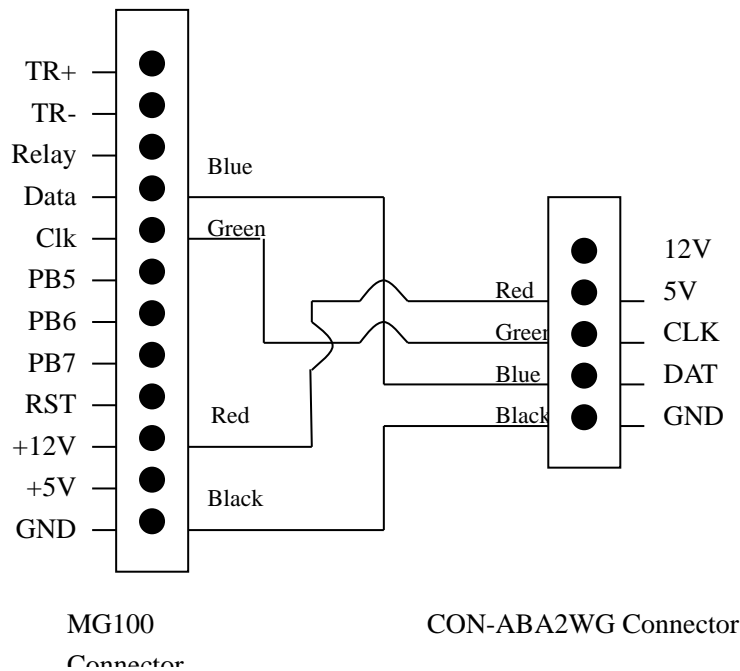
First Digits is valid: DP3=ON;

MG100 Magnetic Reader: DP4=OFF;

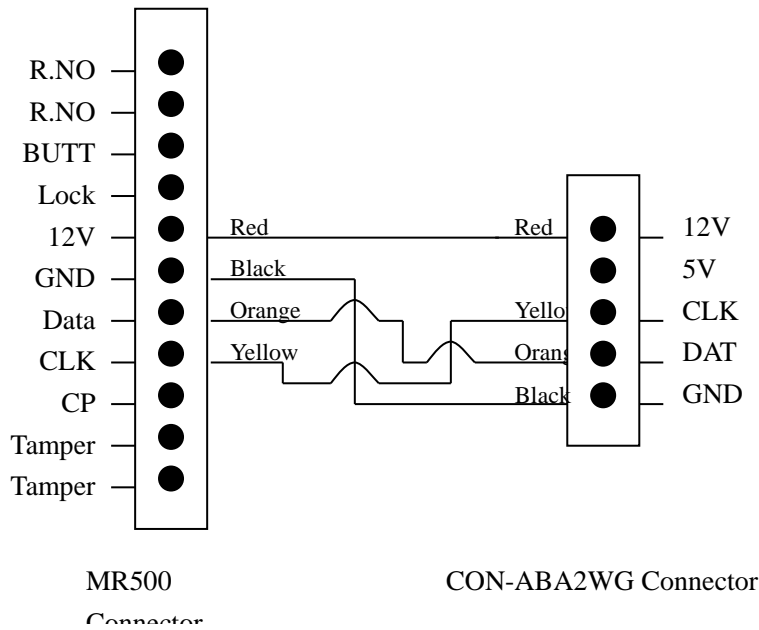
MR500 Magnetic Reader: DP4=ON;

## 3. Diagram:

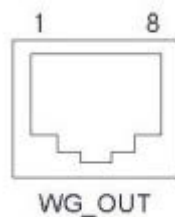
### 3.1 Diagram for MG100 Magnetic Reader



### 3.2 Diagram for MR500 Magnetic Read



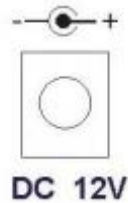
### 3.3 WG\_OUT interface



RJ45 Pins	Description		Wire Color
	中文	English	
1	直流地	GND	Brown
2			Brown/White
3	绿色发光二极管	Green LED	Blue
4	红色发光二极管	Red LED	Blue/White
5	数据 0 (时钟)	Data 0	Green
6	数据(数据 1)	Data 1	Green/White
7	+12V 直流电源	12VDC	Orange

8			Orange/White
---	--	--	--------------

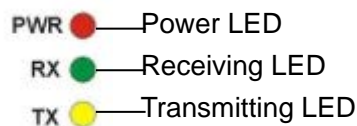
### 3.4 Power Supply



Input Voltage: DC12V

**Caution:** When CON-ABA2WG will use the power supply from Access Controller, need no extend power supply.

### 4. LED Indication:



- When there is a power supply to CON-ABA2WG, the PWR LED will be lighted.
- When there is Data came from Magnetic Reader, the RX LED will be lighted.
- When CON-ABA2WG is transmitting Data to Access Controller, the TX LED will be lighted.

### 5. Connect to Access Controller and Magnetic Reader:



### 6. Features:

- Power: 7 – 15VDC, 500ma

- Current: Static 35mA Operating: 40mA.
- Operating Temperature: -14°C ~ +70°C .
- Humidity: 10% ~90%
- Max Distance for ABA Input: 60m
- Max Distance for Wiegand Output: 60m